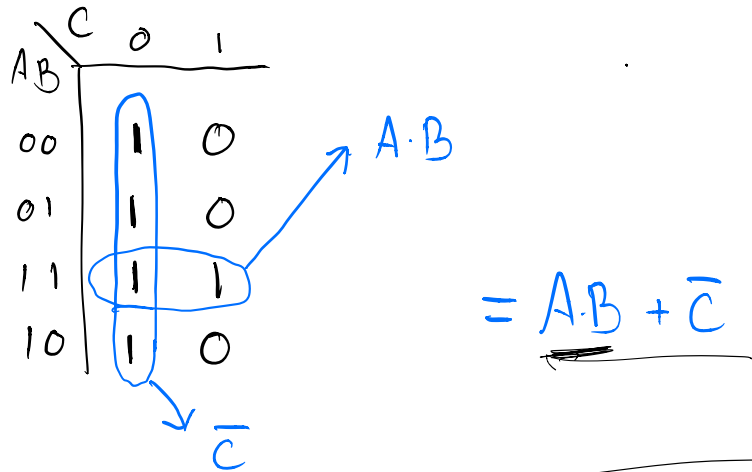


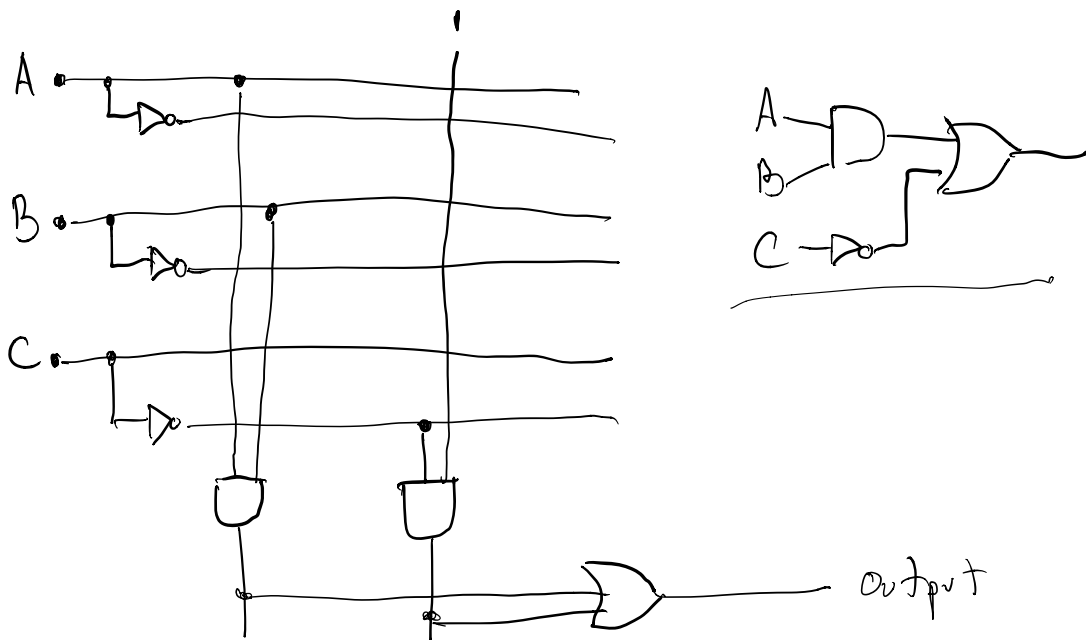
K-map Problems

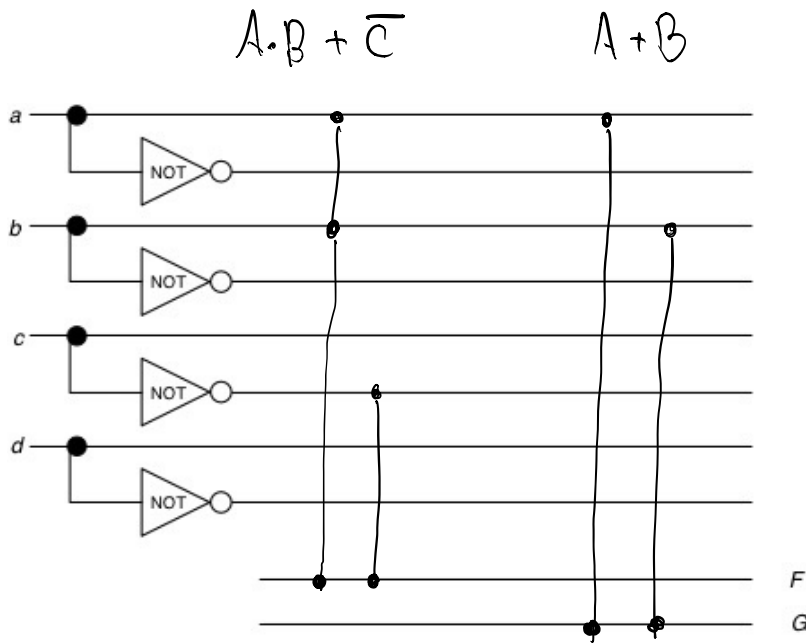
I. $A(B + A + \bar{A}) + B \cdot \bar{A} = \underline{\underline{A + B}}$

II $B(A \cdot \bar{B} + \bar{C} + A) + \underline{\underline{\bar{B} \cdot \bar{C}}}$



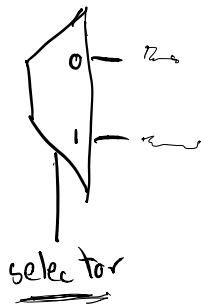
Programmable Logic Arrays (PLAs)



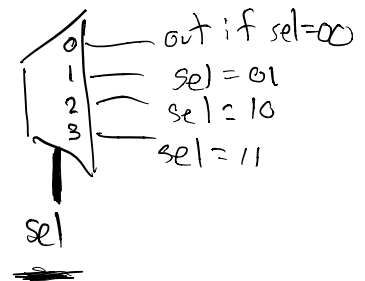


Combinational Logic

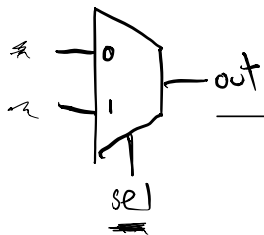
decoder



selector	out_0	out_1
0	1	0
1	0	1



multiplexor



if sel = 0
 $out = in_0$
 else
 $out = in_1$

